

KEY FEATURES

- Open Frame Switching Power Supply
- Universal Input: 85-265 VAC
- Single Output
- <0.3W No Load Input Power (48Vout <0.5W)
- 12 VDC to 48 VDC Output
- 3000 VAC Input to Output Isolation
- Ultra Compact Size: 4.05 x 2.04 x 1.36 Inches
- 3-Years Product Warranty



ELECTRICAL SPECIFICATIONS

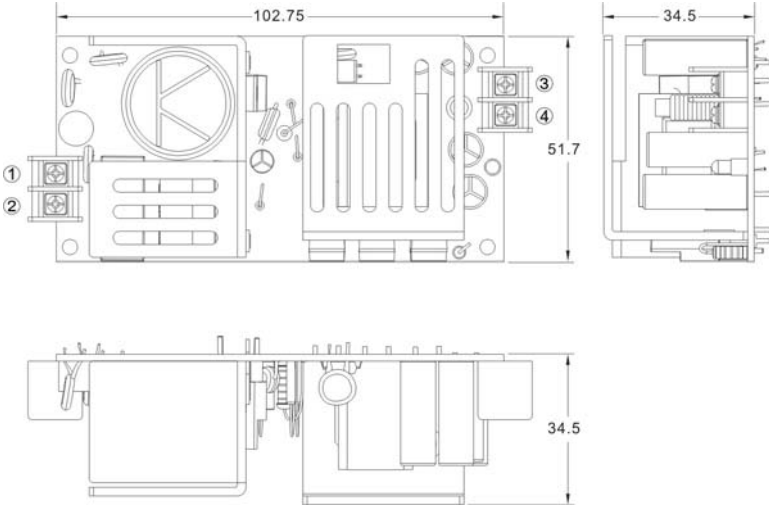
Model No.	SZA100-12S	SZA100-15S	SZA100-24S	SZA100-48S
Max Output Wattage (Free air Convection) (W)	80 W			
Max Output Wattage (with 20CFM FAN) (W)	100 W			
Input	Voltage			
	85-265 VAC or 100-370 VDC			
	Frequency (Hz)			
	47-63 Hz			
	Current (Full load)			
3.15 A max. (115 VAC) / 2 A max. (230 VAC)				
Inrush Current (<2ms)				
40 A max. (115 VAC) / 80 A max. (230 VAC)				
Leakage Current				
0.5 mA max.				
Output	Voltage (V.DC.)			
	12V	15V	24V	48V
	Voltage Accuracy			
	±2%			
	Current (Free air Convection) (mA) max			
	6,665	5,336	3,336	1,667
	Current (with 20CFM FAN) (mA) max			
	8,330	6,670	4,170	2,084
	Line Regulation (LL-HL) (typ.)			
	±1%			
	Load Regulation (5-100%) (typ.)			
	±1%			
	Maximum Capacitive Load			
470-23,000µF depending on model				
Ripple				
<0.2% Vout +40mV max (Vp-p)				
Noise				
<0.5% Vout +50mV max (Vp-p)				
Efficiency (at 230V)				
87%	87%	88%	88%	
Trim				
±10%				
Hold-up Time				
10 ms min.				
Switching Frequency				
65 kHz				
Protection	Over Power Protection			
	Auto recovery			
	Over Voltage Protection			
Zener diode clamp				
Short Circuit Protection				
Auto recovery				
Isolation	Input-Output (V.AC)			
	3000V			
	Input-FG (V.AC)			
1500V				
Output-FG (V.AC)				
500V				
Environment	Operating Temperature			
	-25°C...+70°C (with derating)			
	Storage Temperature			
	-50°C...+85°C			
	Temperature coefficient			
	±0.02%/°C			
Humidity				
95% RH				
MTBF				
>130,000 h @ 25°C (MIL-HDBK-217F)				
Vibration				
10~500Hz, 2G 10min./1cycle, 60min. each along X, Y, Z axes.				
Physical	Dimension (L x W x H)			
	4.05 x 2.04 x 1.36 Inches (102.75 x 51.7 x 34.5 mm) Tolerance ±0.5 mm			
	Weight			
Pending				
Cooling Method				
Free air convection				
Safety	Agency Approvals			
CE, UL60950 (Pending)				
EMC	EMI (Conducted & Radiated Emission)			
	EN 55022 Class B (Pending)			
EMS (Noise Immunity)				
EN 55024 (Pending)				

1.All specifications valid at normal input voltage, full load and +25°C after warm-up time unless otherwise stated.

2.Ripple & Noise are measured at 20MHz of bandwidth with 0.1UF & 47UF parallel capacitor.

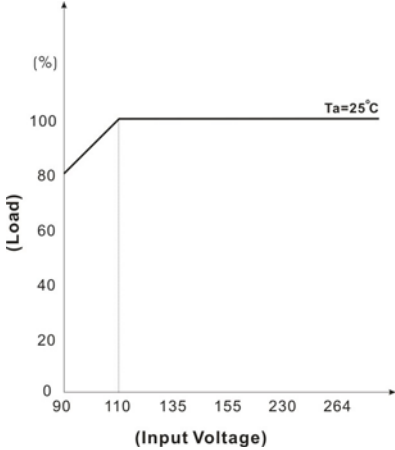
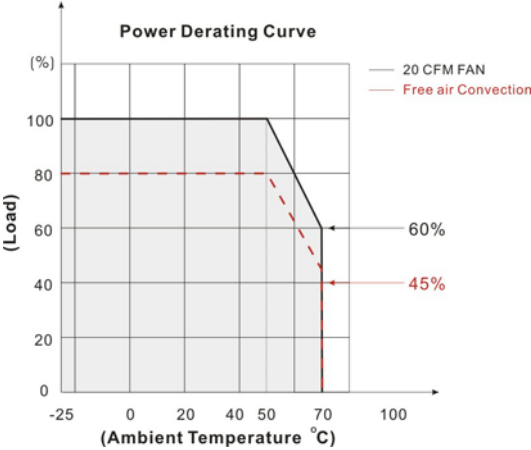
SZA100 SERIES **100 Watts**

MECHANICAL DIMENSION (Top View)



PIN#	SINGLE
1	AC IN (N)
2	AC IN (L)
3	-DC OUT
4	+DC OUT

DERATING



BLOCK DIAGRAM

