

Features:

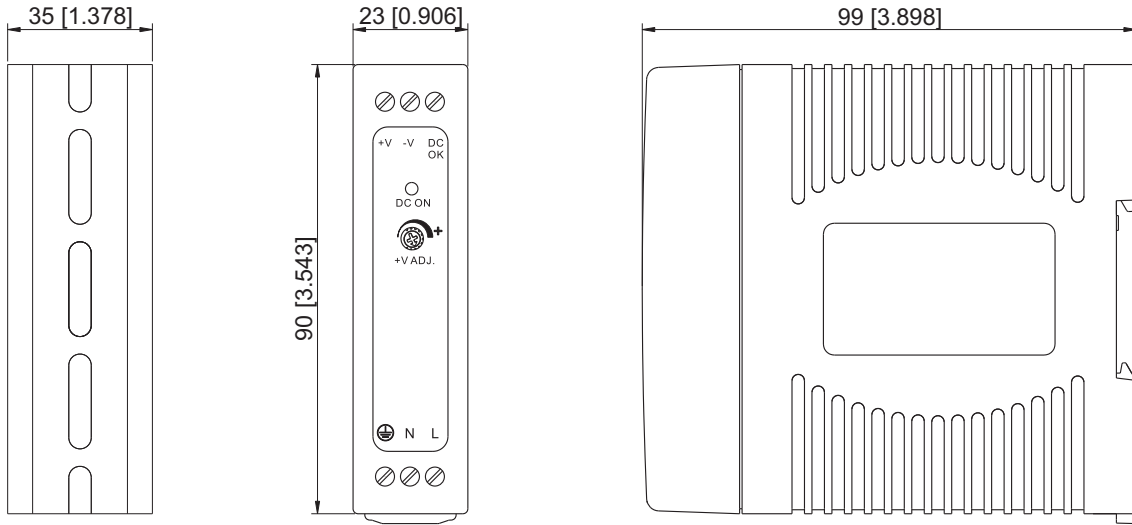
- Universal AC input / Full range
- Installed on DIN rail TS-35 / 7.5 or 15
- Brown-out protection
- Protection: SCP, OLP, OVP
- High operation temperature up to 70°C
- True DC OK signal output
- Withstand 2G vibration test
- UL 508 (Industrial control equipment) listed
- UL 1310 Class 2 Power unit / LPS pass
- 3 years warranty



MODEL		DN-10-12	DN-10-15	DN-10-24
Output	DC Voltage Range	12V	15V	24V
	Rated Current	0.84A	0.67A	0.42A
	Current Range	0 ~ 0.84A	0 ~ 0.67A	0 ~ 0.42A
	Rated Power	10.08W	10.05W	10.08W
	Ripple & Noise (Max.)	Note.2 100mVp-p	100mVp-p	120mVp-p
	Voltage Adj. Range	10.8 ~ 13.2V	13.5 ~ 16.5V	21.6 ~ 26.4V
	Voltage Tolerance	Note.3 ±1%	±1%	±1%
	Line Regulation	±1%	±1%	±1%
	Load Regulation	±1%	±1%	±1%
	Setup, Rise Time	< 800ms, < 100ms / 230VAC at full load		
Hold Up Time (Typ.)	> 32ms / 230VAC, > 16ms / 115VAC at full load			
Input	Voltage Range	Note.4 88 ~ 264VAC, 124 ~ 370VDC		
	Frequency Range	47 ~ 63Hz		
	Efficiency (Typ.)	81%	81%	81%
	AC Current (Typ.)	0.23 A / 115VAC, 0.17A / 230VAC		
	Inrush Current (Typ.)	15A / 115VAC, 30A / 230VAC		
	Leakage Current	< 1mA / 230VAC		
Protection	Over Load	> 102% rated output power Protection type: constant current limit, recovers automatically after fault condition is removed		
	Over Voltage	115 ~ 150% rated output voltage Protection type: latch-off mode		
Environment	Working Temp.	-20 ~ +70°C (Refer to de-rating curve)		
	Working Humidity	20 ~ 90% RH non-condensing		
	Storage Temp. & Humidity	-40 ~ +85°C, 10 ~ 95% RH		
	Temp. Coefficient	±0.03% / °C (0 ~ 50°C)		
	Vibration	10 ~ 500Hz, 2G 10min. / 1cycle, period for 60min. Each along X, Y, Z axes		
Safety & EMC	Safety Standards	Certified UL 508; EN 60950-1; UL 1310 Class 2 Power Supply		
	Withstand Voltage	I/P-O/P: 3KVAC (4242VDC), I/P-FG: 1.5KVAC (2121VDC) 1minute		
	Isolation Resistance	I/P-O/P, I/P-FG, O/P-FG: 100M Ohms / 500VDC		
	EMI Conduction & Radiation	Certified EN 55022; EN 61000-6-3		
	Harmonic Current	Certified EN 61000-3-2; EN 61000-3-3		
Note.5 EMS Immunity	Certified EN 61204-3; EN 55024; EN 61000-6-1; IEC 61000-4-2, 3, 4, 5, 6, 8, 11			
Others	DC OK signal	Open collector Max. : 40mA		
	Connection	I/P: 3 poles, O/P: 3 poles screw terminal		
	MTBF	562.7K HRS Certified MIL-HDBK-217F		
	Cooling	Air convection		
	Dimension (WxHxD)	23x90x99 mm / 0.906x3.543x3.898 inch		
	Packing	0.16kg; 45pcs / 8.2kg / 0.6CUFT		
Note	<p>1. All parameters NOT specially mentioned are measured at 230VAC input, rated load and 25°C of ambient temperature.</p> <p>2. Ripple & noise are measured at 20MHz of bandwidth by using a 12" twisted pair-wire terminated with a 0.1uF & 47uF parallel capacitor.</p> <p>3. Tolerance: includes setup time tolerance, line regulation and load regulation.</p> <p>4. De-rating may apply in low input voltage. Please check the de-rating curve for more details.</p> <p>5. The power supply is considered a component which will be installed into a final equipment. The final equipment must be re-confirmed that it still meets EMC directives.</p>			

Mechanical Drawings:

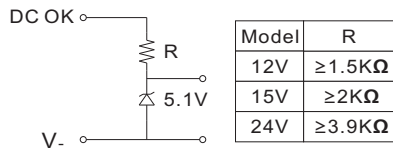
Unit : mm / inch



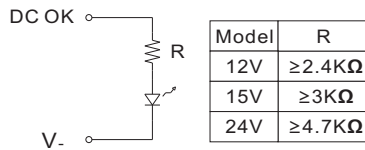
install DIN rail TS-35 / 7.5 or TS-35 / 15

Application of DC OK Active Signal:

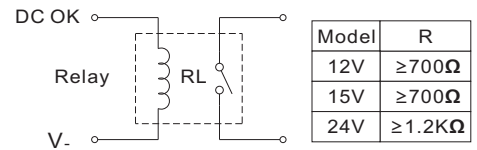
(a) 5V signal



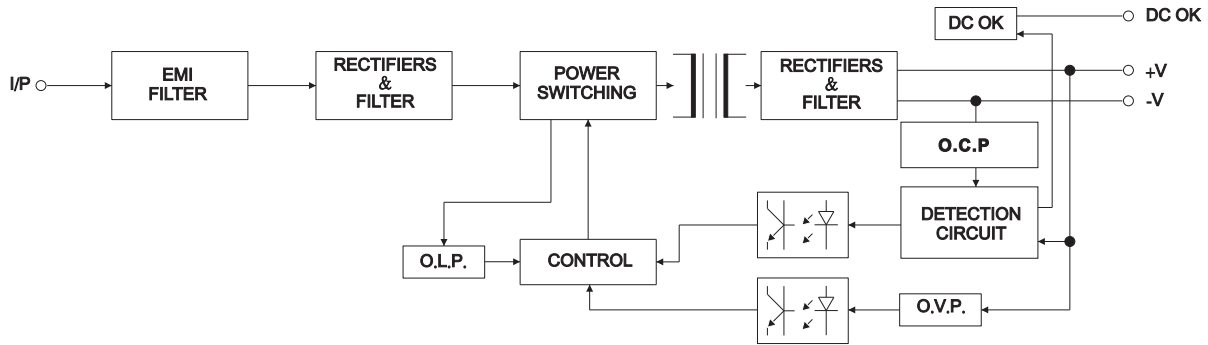
(b) LED



(c) Relay

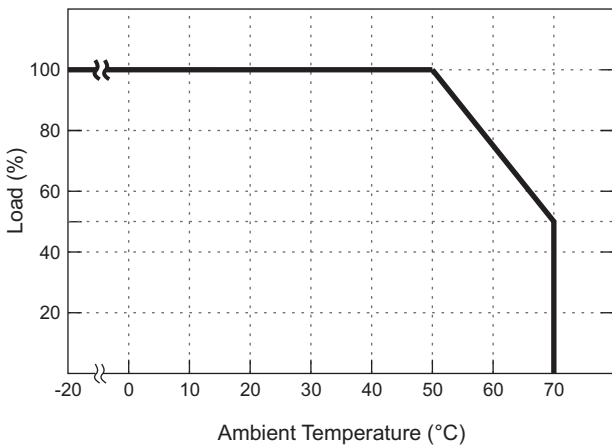


Block Diagram:



De-rating Curve:

Load V.S Temp.



Load V.S I/P Voltage

