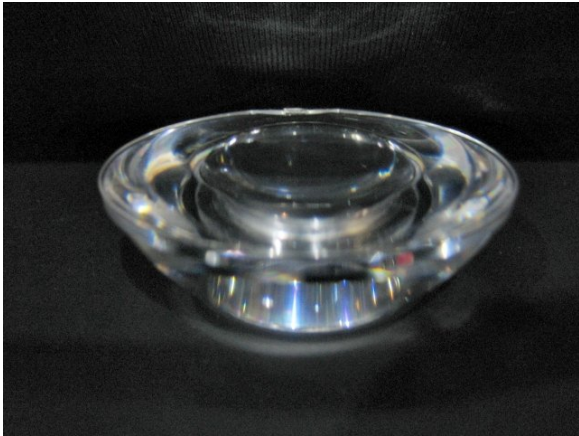
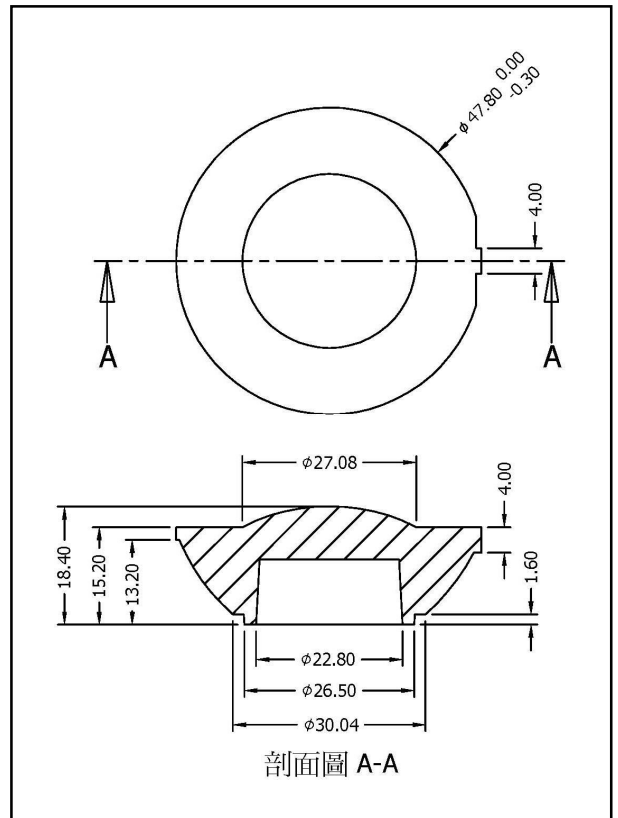


## 45 deg. 2nd Lens

P/N	Degree	LED Type
2L010045-LT048	45	Lustron X



- ◆ Lens Material Optical Grade PC
- ◆ High efficiency  $\cong$  90
- ◆ Excellent uniformity
- ◆ Typical applications are:
  - PAR Series
  - AR111
  - Downlight



Average Illuminance Figure

