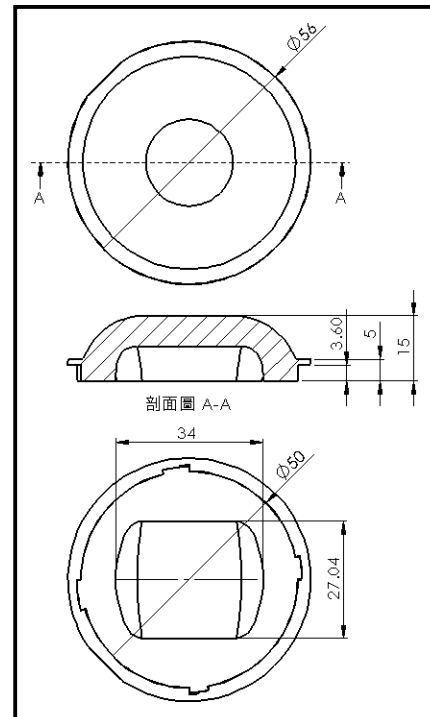
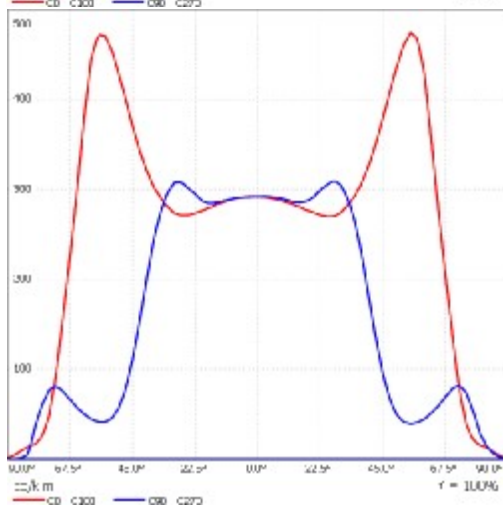
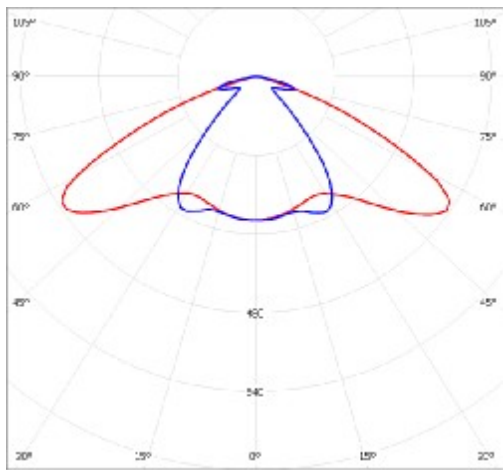


Street Light Lens

P/N	Degree	LED Type
2D10ST1S-LT056	IESNA Type I-S	Diamond Pro ^{SL}



- ◆ Lens Material Optical Grade PC
- ◆ High efficiency ≅ 90
- ◆ Excellent uniformity



Long

