

KEY FEATURES

- Din Rail Switching Power Supply
- Universal Input: 90-264 VAC
- 250 Watt with 18CFM FAN
- 3.3 VDC to 48 VDC Single Output
- 3000 VAC Input to Output Isolation
- Size: 7.0 x 4.2 x 1.6 Inches
- 2-Years Product Warranty

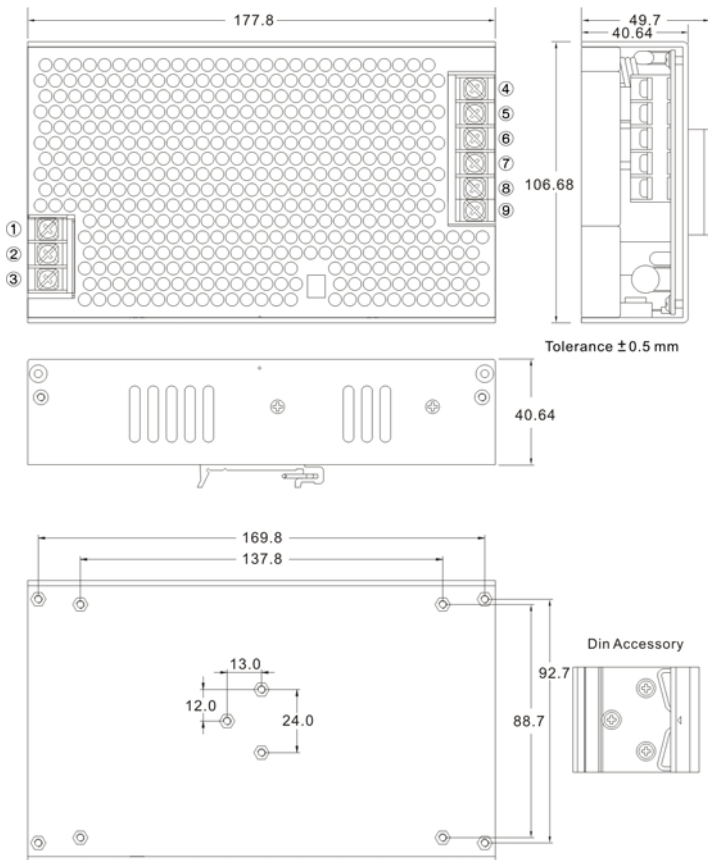

ELECTRICAL SPECIFICATIONS

Model No.	AQF250D-3.3S	AQF250D-5S	AQF250D-12S	AQF250D-15S	AQF250D-24S	AQF250D-48S	
Max Output Wattage (18CFM FAN) (W)	132W	200W	250W	250W	250W	250W	
Max Output Wattage (W)	80W	120W	162W	162W	162W	162W	
Input	Voltage						90-264 VAC or 120-370 VDC
	Frequency (Hz)						47-63 Hz
	Current (Full load)						4.0 A max. (115 VAC) / 2.0 A max. (230 VAC)
	Inrush Current (<2ms)						40 A max. (115 VAC) / 80 A max. (230 VAC)
	Leakage Current						3.5 mA max.
	Power Factor						PF>0.97 (115 VAC) / PF>0.93 (230 VAC) at Full Load
Output	Voltage (V.DC.)						3.3V 5V 12V 15V 24V 48V
	Voltage Accuracy						±2%
	Current (18CFM FAN) (A) max						40 40 20.83 16.66 10.4 5.2
	Current (Convection) (A) max						24.24 24 13.5 10.8 6.75 3.375
	Line Regulation (LL-HL) (typ.)						±1%
	Load Regulation (5-100%) (typ.)						±1%
	Minimum Load						0%
	Maximum Capacitive Load						470-23,000µF depending on model
	Ripple & Noise						100 mV max. 1% max.
	Efficiency (typ.)						72% 77% 81% 82% 83% 84%
	Hold-up Time						18 ms min.
	Switching Frequency						67 kHz
Protection	Over Power Protection						Auto recovery
	Over Voltage Protection						Zener diode clamp
	Short Circuit Protection						Auto recovery
Isolation	Input-Output (V.AC)						3000V
	Input-FG (V.AC)						1500V
	Output-FG (V.AC)						500V
Environment	Operating Temperature						-25°C...+70°C (with derating)
	Storage Temperature						-40°C...+85°C
	Temperature Coefficient						±0.02%/°C (0~50°C)
	Humidity						95% RH
	MTBF						>50,000 h @ 25°C (MIL-HDBK-217F)
	Vibration						10~500Hz, 5G 10min./1cycle, 60min. each along X, Y, Z axes.
Physical	Dimension (L x W x H)						7.0 x 4.2 x 1.6 Inches (177.8 x 106.68 x 40.64 mm) Tolerance ±0.5 mm
	Weight						840 g
	Cooling Method						Free air convection / 18CFM Forced Air
Safety	Agency Approvals						CE, UL
EMC	EMI (Conducted & Radiated Emission)						EN 55022 class B
	EMS (Noise Immunity)						EN 55024

Ihr Vertriebspartner:
HY-LINE
 POWER COMPONENTS

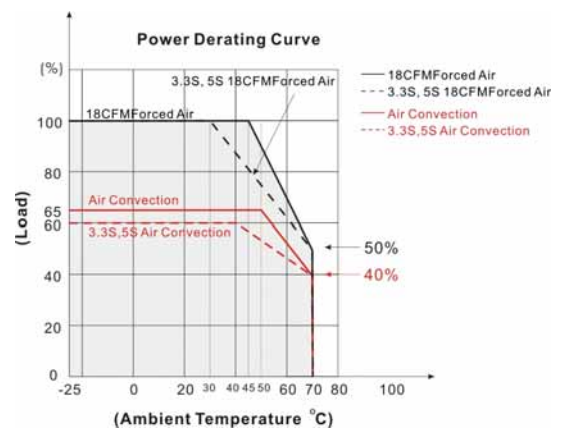
Inselkammerstraße 10
 D-82008 Unterhaching
 Tel.: +49 (0)89 614503 10
 Fax: +49 (0)89 614503 20
 E-Mail: power@hy-line.de
 URL: www.hy-line.de

MECHANICAL DIMENSION (Top View)



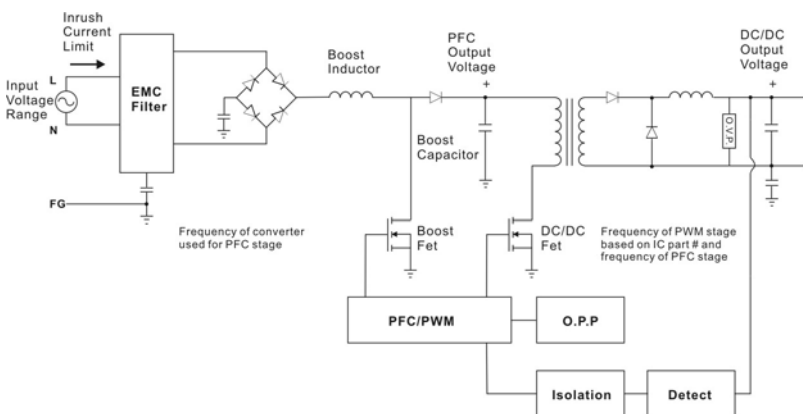
PIN#	SINGLE
1	FG
2	AC IN (N)
3	AC IN (L)
4	+DC OUT
5	+DC OUT
6	+DC OUT
7	-DC OUT
8	-DC OUT
9	-DC OUT

DERATING



Please note the length of screw do not over 3mm in case breaking through Mylar under PCB board.

BLOCK DIAGRAM



STATIC CHARACTERISTICS

