

# DC/DC Converter

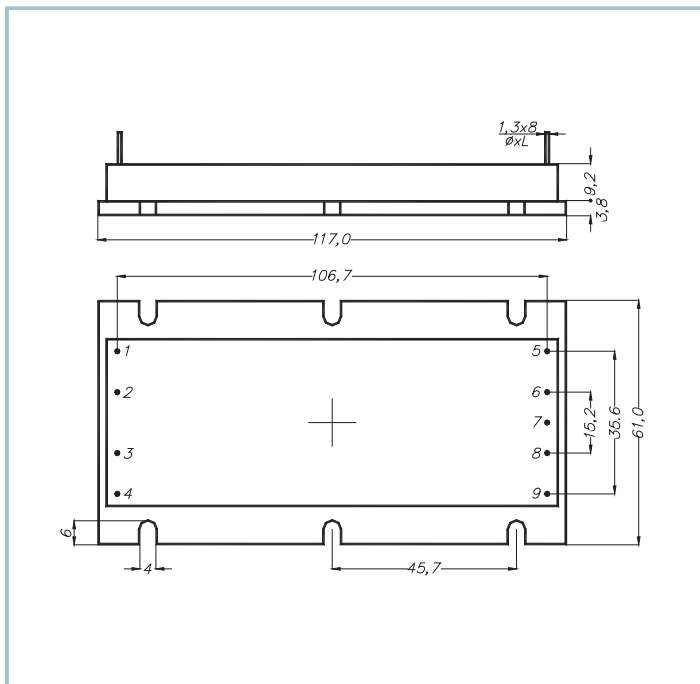
# Single output

## Serie EB

### 75 W



Input [V]	Output [V]	Output [mA]	Model	
9 ÷ 18	5	10000	EB 105	SMT - on ceramic technology Metal case: 117 x 61 x 13 mm Standard pin-out Operating temperature range: -40 ÷ +85°C Storage temperature range: -40 ÷ +125°C Efficiency: >85% Radiated EMI/RFI: EN55022-B Isolation I/O: 500VDC Output voltage accuracy: ±1% Output ripple (20MHz): <150mVpp Regulation line: ±0,2% Regulation load: ±0,5% Short circuit proof Temperature coefficient: 0,02%/°C Optional: Remote On/Off control Optional: Remote sensing <small>Note: Typical specifications at T<sub>a</sub>=+25°C under nominal line voltage and full-load conditions, unless otherwise noted.</small>
9 ÷ 18	12	6000	EB 112	
9 ÷ 18	24	3000	EB 124	
18 ÷ 36	5	10000	EB 205	
18 ÷ 36	12	6000	EB 212	
18 ÷ 36	24	3000	EB 224	
36 ÷ 72	5	10000	EB 305	
36 ÷ 72	12	6000	EB 312	
36 ÷ 72	24	3000	EB 324	



### Connections

- Pin 1 ..... -Input
- Pin 2 ..... no pin
- Pin 3 ..... On/Off
- Pin 4 ..... +Input
- Pin 5 ..... -Output
- Pin 6 ..... -Sense
- Pin 7 ..... no pin
- Pin 8 ..... +Sense
- Pin 9 ..... +Output

Production and sales office  
**ELEKTRA srl**  
 Zona Industriale, 3 - 39052 Caldaro (BZ) Italy  
 Tel.: +39 0471 962255 - Fax: +39 0471 965668  
<http://www.elektra.it> - e-mail: [info@elektra.it](mailto:info@elektra.it)



ISO 9001  
 Registered

Sales office for Germany  
**ELEKTRAREINSTADLER GmbH**  
 Arnbacherstr., 32 - 85247 Schwabhausen Germany  
 Tel.: +49 08138 9161 - Fax: +49 08138 8484  
 e-mail: [elektra.reinstadler@t-online.de](mailto:elektra.reinstadler@t-online.de)