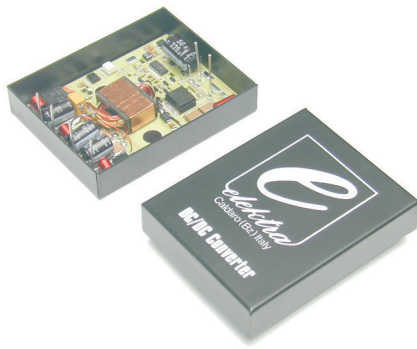


DC/DC Converter

Single output

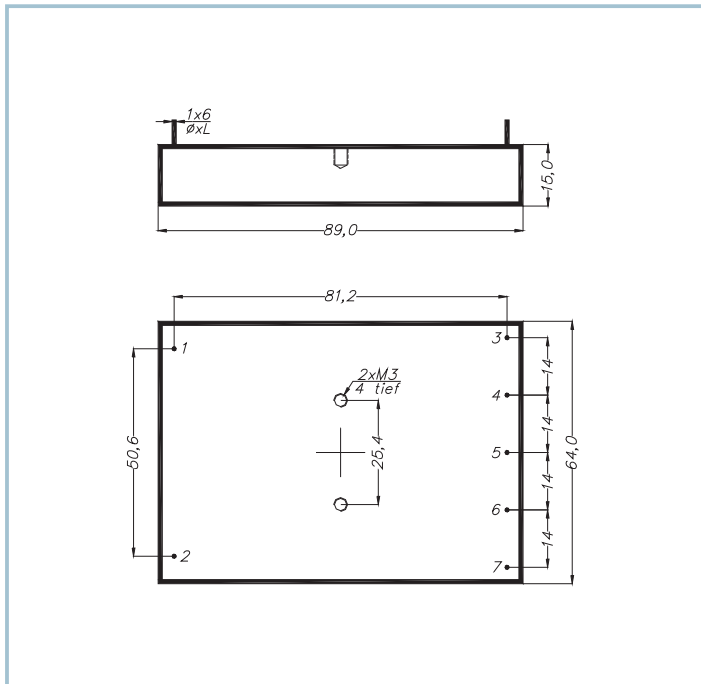
Serie SC

75 W



Input [V]	Output [V]	Output [mA]	Model	
9 ÷ 18	5	8000	SC 105	SMT - on ceramic technology Metal case: 89 x 64 x 15 mm Standard pin-out Operating temperature range: -40 ÷ +85°C Storage temperature range: -40 ÷ +125°C Efficiency: >85% Radiated EMI/RFI: EN55022-B Isolation I/O: 500VDC Output voltage accuracy: ±1% Output ripple (20MHz): <150mVpp Regulation line: ±1% Regulation load: ±1,5% Short circuit proof Temperature coefficient: 0,02%/°C Optional: Remote On/Off control
9 ÷ 18	12	6000	SC 112	
9 ÷ 18	24	3000	SC 124	
18 ÷ 36	5	8000	SC 205	
18 ÷ 36	12	6000	SC 212	
18 ÷ 36	24	3000	SC 224	
36 ÷ 72	5	8000	SC 305	
36 ÷ 72	12	6000	SC 312	
36 ÷ 72	24	3000	SC 324	

Note: Typical specifications at T_a=+25°C under nominal line voltage and full-load conditions, unless otherwise noted.



Connections

Pin 1 +Input
 Pin 2 -Input
 Pin 3 +Output
 Pin 4 -Output
 Pin 5 no pin
 Pin 6 no pin
 Pin 7 no pin

Production and sales office
ELEKTRA srl
 Zona Industriale, 3 - 39052 Caldaro (BZ) Italy
 Tel.: +39 0471 962255 - Fax: +39 0471 965668
<http://www.elektra.it> - e-mail: info@elektra.it



ISO 9001
 Registered

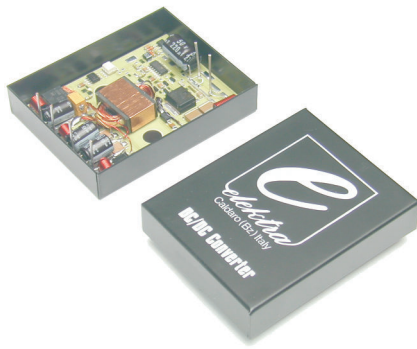
Sales office for Germany
ELEKTRAREINSTADLER GmbH
 Arnbacherstr., 32 - 85247 Schwabhausen Germany
 Tel.: +49 08138 9161 - Fax: +49 08138 8484
 e-mail: elektra.reinstadler@t-online.de

DC/DC Converter

Triple output

Serie SC

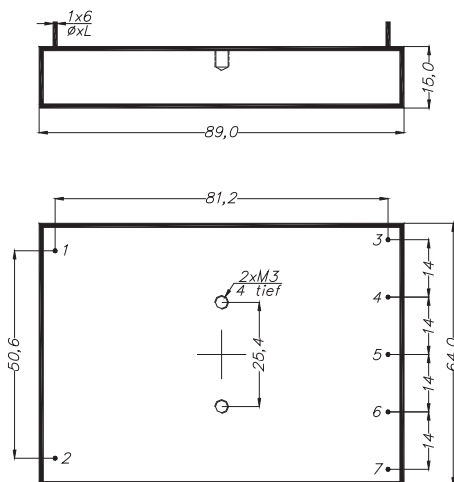
75 W



Input [V]	Output [V]	Output [A]	Model
9 ÷ 18	5 / ±12	5 / ±0,5	SC 1522
9 ÷ 18	5 / ±15	5 / ±0,5	SC 1525
18 ÷ 36	5 / ±12	5 / ±0,5	SC 2522
18 ÷ 36	5 / ±15	5 / ±0,5	SC 2525
36 ÷ 72	5 / ±12	5 / ±0,5	SC 3522
36 ÷ 72	5 / ±15	5 / ±0,5	SC 3525

SMT - on ceramic technology
 Metal case: 89 x 64 x 15 mm
 Standard pin-out
 Operating temperature range: -40 ÷ +85°C
 Storage temperature range: -40 ÷ +125°C
 Efficiency: >83%
 Radiated EMI/RFI: EN55022-B
 Isolation I/O: 500VDC
 Output voltage accuracy: ±2%
 Output ripple (20MHz): <200mVpp
 Regulation line: ±1%
 Regulation load: ±1,5%
 Short circuit proof
 Temperature coefficient: 0,02%/°C
 Optional: Remote On/Off control

Note: Typical specifications at T_a = +25°C under nominal line voltage and full-load conditions, unless otherwise noted.



Connections

- Pin 1 +Input
- Pin 2 -Input
- Pin 3 +Output 1
- Pin 4 -Output 1
- Pin 5 +Output 2
- Pin 6 Com. 2
- Pin 7 -Output 2

Production and sales office
ELEKTRA srl
 Zona Industriale, 3 - 39052 Caldaro (BZ) Italy
 Tel.: +39 0471 962255 - Fax: +39 0471 965668
<http://www.elektra.it> - e-mail: info@elektra.it



ISO 9001
 Registered

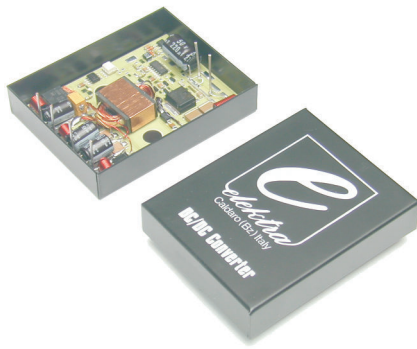
Sales office for Germany
ELEKTRAREINSTADLER GmbH
 Arnbacherstr., 32 - 85247 Schwabhausen Germany
 Tel.: +49 08138 9161 - Fax: +49 08138 8484
 e-mail: elektra.reinstadler@t-online.de

DC/DC Converter

Dual output

Serie SC

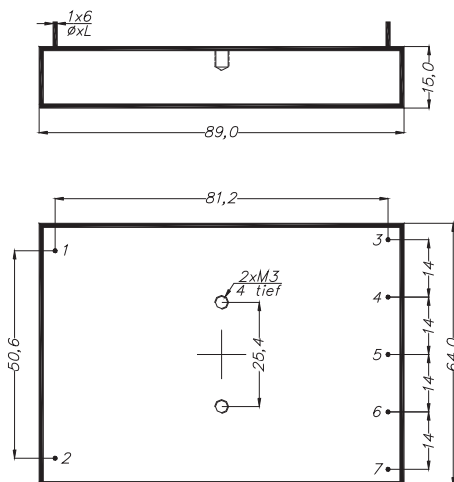
75 W



Input [V]	Output [V]	Output [mA]	Model
9 ÷ 18	±12	±1500	SC 122
9 ÷ 18	±15	±1200	SC 125
18 ÷ 36	±12	±1500	SC 222
18 ÷ 36	±15	±1200	SC 225
36 ÷ 72	±12	±1500	SC 322
36 ÷ 72	±15	±1200	SC 325

SMT - on ceramic technology
 Metal case: 89 x 64 x 15 mm
 Standard pin-out
 Operating temperature range: -40 ÷ +85°C
 Storage temperature range: -40 ÷ +125°C
 Efficiency: >85%
 Radiated EMI/RFI: EN55022-B
 Isolation I/O: 500VDC
 Output voltage accuracy: ±2%
 Output ripple (20MHz): <200mVpp
 Regulation line: ±1%
 Regulation load: ±1,5%
 Short circuit proof
 Temperature coefficient: 0,02%/°C
 Optional: Remote On/Off control

Note: Typical specifications at T_a=+25°C under nominal line voltage and full-load conditions, unless otherwise noted.



Connections

- Pin 1 +Input
- Pin 2 -Input
- Pin 3 +Output 1
- Pin 4 -Output 1
- Pin 5 +Output 2
- Pin 6 -Output 2
- Pin 7 no pin

Production and sales office
ELEKTRA srl
 Zona Industriale, 3 - 39052 Caldaro (BZ) Italy
 Tel.: +39 0471 962255 - Fax: +39 0471 965668
<http://www.elektra.it> - e-mail: info@elektra.it



ISO 9001
 Registered

Sales office for Germany
ELEKTRAREINSTADLER GmbH
 Arnbacherstr., 32 - 85247 Schwabhausen Germany
 Tel.: +49 08138 9161 - Fax: +49 08138 8484
 e-mail: elektra.reinstadler@t-online.de