

DC/DC Converter

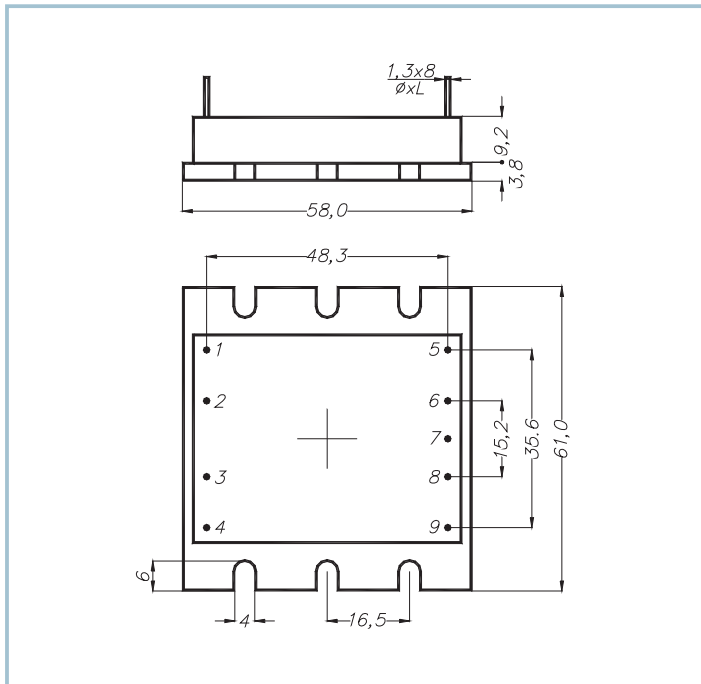
Single output

Serie EA

50 W



Input [V]	Output [V]	Output [mA]	Model	
9 ÷ 18	5	6000	EA 105	SMT - on ceramic technology Metal case: 58 x 61 x 13 mm Standard pin-out Operating temperature range: -40 ÷ +85°C Storage temperature range: -40 ÷ +125°C Efficiency: >80% Radiated EMI/RFI: EN55022-B Isolation I/O: 500VDC Output voltage accuracy: ±1% Output ripple (20MHz): <150mVpp Regulation line: ±0,2% Regulation load: ±0,5% Short circuit proof Temperature coefficient: 0,02%/°C Optional: Remote On/Off control Optional: Remote sensing <small>Note: Typical specifications at T_a=+25°C under nominal line voltage and full-load conditions, unless otherwise noted.</small>
9 ÷ 18	12	4000	EA 112	
9 ÷ 18	24	2000	EA 124	
18 ÷ 36	5	6000	EA 205	
18 ÷ 36	12	4000	EA 212	
18 ÷ 36	24	2000	EA 224	
36 ÷ 72	5	6000	EA 305	
36 ÷ 72	12	4000	EA 312	
36 ÷ 72	24	2000	EA 324	



Connections

Pin 1	-Input
Pin 2	no pin
Pin 3	On/Off
Pin 4	+Input
Pin 5	-Output
Pin 6	-Sense
Pin 7	no pin
Pin 8	+Sense
Pin 9	+Output

Production and sales office
ELEKTRA srl
 Zona Industriale, 3 - 39052 Caldaro (BZ) Italy
 Tel.: +39 0471 962255 - Fax: +39 0471 965668
<http://www.elektra.it> - e-mail: info@elektra.it



Sales office for Germany
ELEKTRAREINSTADLER GmbH
 Arnbacherstr., 32 - 85247 Schwabhausen Germany
 Tel.: +49 08138 9161 - Fax: +49 08138 8484
 e-mail: elektra.reinstadler@t-online.de