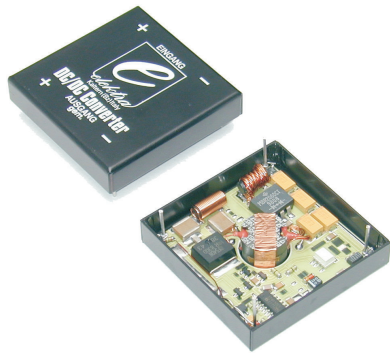


# DC/DC Converter

# Single output

## Serie SB

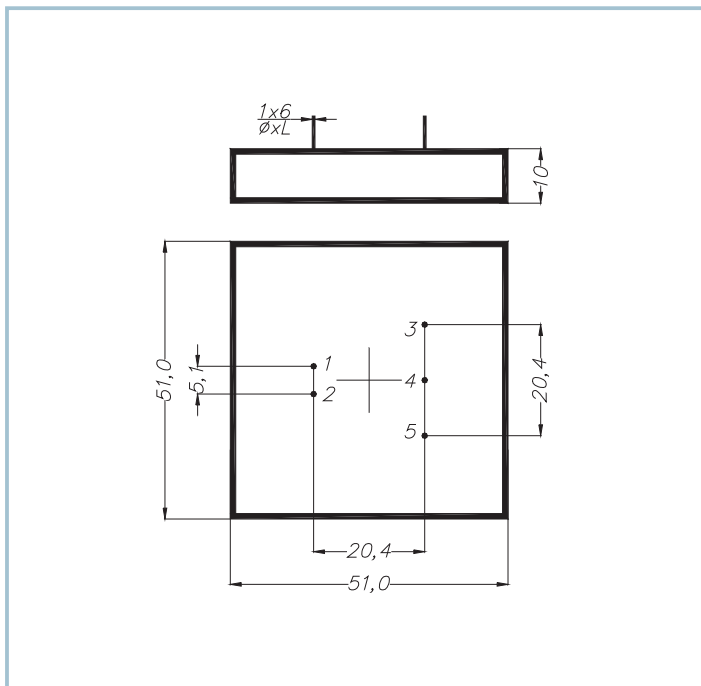
### 15 W



Input [V]	Output [V]	Output [mA]	Model
9 ÷ 18	5	3000	SB 105
9 ÷ 18	12	1200	SB 112
9 ÷ 18	15	1000	SB 115
18 ÷ 36	5	3000	SB 205
18 ÷ 36	12	1200	SB 212
18 ÷ 36	15	1000	SB 215
36 ÷ 72	5	3000	SB 305
36 ÷ 72	12	1200	SB 312
36 ÷ 72	15	1000	SB 315

SMT - on ceramic technology  
 Metal case: 51 x 51 x 10 mm  
 Standard pin-out  
 Operating temperature range: -40 ÷ +85°C  
 Storage temperature range: -40 ÷ +125°C  
 Efficiency: >83%  
 Radiated EMI/RFI: EN55022-B  
 Isolation I/O: 500VDC  
 Output voltage accuracy: ±1%  
 Very low output ripple (20MHz): <100mVpp  
 Regulation line: ±0,5%  
 Regulation load: ±1%  
 Short circuit proof  
 Temperature coefficient: 0,02%/°C

Note: Typical specifications at T<sub>a</sub>=+25°C under nominal line voltage and full-load conditions, unless otherwise noted.



### Connections

Pin 1 ..... +Input  
 Pin 2 ..... -Input  
 Pin 3 ..... +Output  
 Pin 4 ..... no pin  
 Pin 5 ..... -Output

Production and sales office  
**ELEKTRA srl**  
 Zona Industriale, 3 - 39052 Caldaro (BZ) Italy  
 Tel.: +39 0471 962255 - Fax: +39 0471 965668  
<http://www.elektra.it> - e-mail: [info@elektra.it](mailto:info@elektra.it)



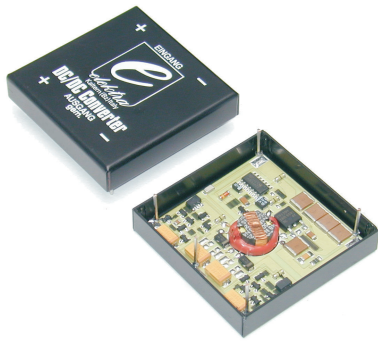
Sales office for Germany  
**ELEKTRAREINSTADLER GmbH**  
 Arnbacherstr., 32 - 85247 Schwabhausen Germany  
 Tel.: +49 08138 9161 - Fax: +49 08138 8484  
 e-mail: [elektra.reinstadler@t-online.de](mailto:elektra.reinstadler@t-online.de)

# DC/DC Converter

# Dual output

## Serie SB

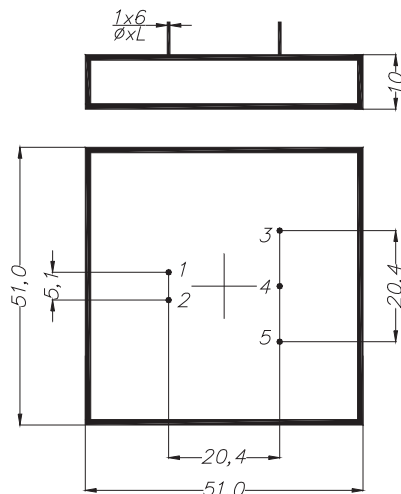
### 15 W



Input [V]	Output [V]	Output [mA]	Model
9 ÷ 18	±12	±500	SB 122
9 ÷ 18	±15	±400	SB 125
18 ÷ 36	±12	±500	SB 222
18 ÷ 36	±15	±400	SB 225
36 ÷ 72	±12	±500	SB 322
36 ÷ 72	±15	±400	SB 325

SMT - on ceramic technology  
 Metal case: 51 x 51 x 10 mm  
 Standard pin-out  
 Operating temperature range: -40 ÷ +85°C  
 Storage temperature range: -40 ÷ +125°C  
 Efficiency: >83%  
 Radiated EMI/RFI: EN55022-B  
 Isolation I/O: 500VDC  
 Outputs individually regulated & controlled (lin.)  
 Output voltage accuracy: ±1%  
 Very low output ripple (20MHz): <100mVpp  
 Regulation line: ±0,5%  
 Regulation load: ±1%  
 Short circuit proof  
 Temperature coefficient: 0,02%/°C

Note: Typical specifications at T<sub>a</sub>=+25°C under nominal line voltage and full-load conditions, unless otherwise noted.



### Connections

Pin 1 ..... +Input  
 Pin 2 ..... -Input  
 Pin 3 ..... +Output  
 Pin 4 ..... Com.  
 Pin 5 ..... -Output

Production and sales office  
**ELEKTRA srl**  
 Zona Industriale, 3 - 39052 Caldaro (BZ) Italy  
 Tel.: +39 0471 962255 - Fax: +39 0471 965668  
<http://www.elektra.it> - e-mail: [info@elektra.it](mailto:info@elektra.it)



ISO 9001  
 Registered

Sales office for Germany  
**ELEKTRAREINSTADLER GmbH**  
 Arnbacherstr., 32 - 85247 Schwabhausen Germany  
 Tel.: +49 08138 9161 - Fax: +49 08138 8484  
 e-mail: [elektra.reinstadler@t-online.de](mailto:elektra.reinstadler@t-online.de)