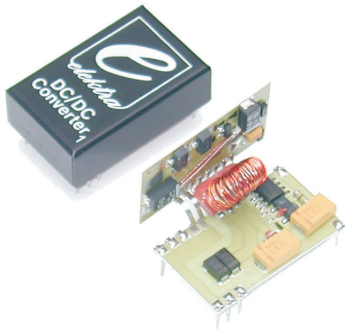


DC/DC Converter

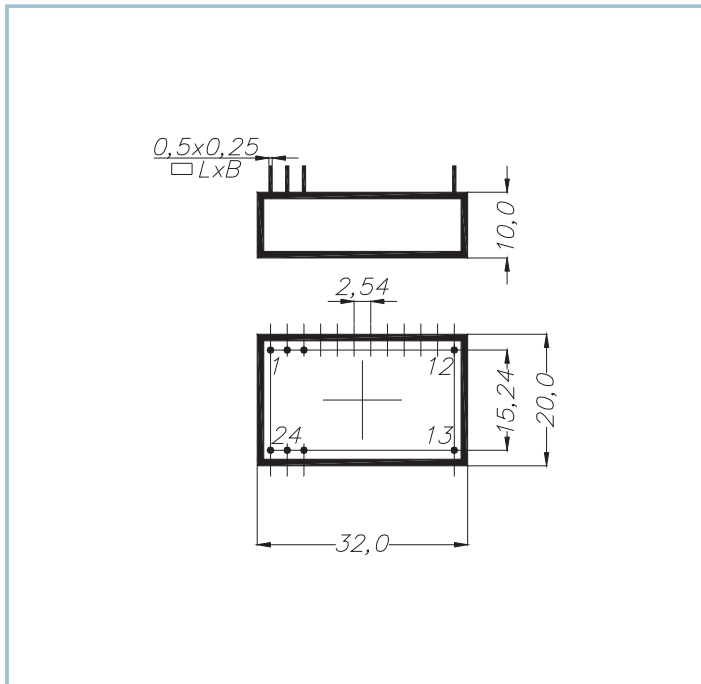
Single output

Serie CK

3 W



Input [V]	Output [V]	Output [mA]	Model	
5 ± 10%	5	500	CK 505	<p>SMT - on ceramic technology Metal case: DIL24 Standard pin-out Operating temperature range: -25÷ +85°C Storage temperature range: -40 ÷ +125°C Efficiency: >70% Radiated EMI/RFI: EN55022-B Isolation I/O: 500VDC Output voltage accuracy: ±1% Output ripple (20MHz): <100mVpp Regulation line: ±0,2% Regulation load: ±0,5% Short circuit proof Temperature coefficient: 0,02%/°C</p> <p><small>Note: Typical specifications at T_a=+25°C under nominal line voltage and full-load conditions, unless otherwise noted.</small></p>
5 ± 10%	12	250	CK 512	
5 ± 10%	15	200	CK 515	
12 ± 10%	5	600	CK 605	
12 ± 10%	12	300	CK 612	
12 ± 10%	15	250	CK 615	
15 ± 10%	5	600	CK 705	
15 ± 10%	12	300	CK 712	
15 ± 10%	15	250	CK 715	
24 ± 10%	5	600	CK 805	
24 ± 10%	12	300	CK 812	
24 ± 10%	15	250	CK 815	



Connections

- Pin 1/2/3 +Input
- Pin 22/23/24 -Input
- Pin 13 +Output
- Pin 12 -Output

Production and sales office
ELEKTRA srl
Zona Industriale, 3 - 39052 Caldaro (BZ) Italy
Tel.: +39 0471 962255 - Fax: +39 0471 965668
<http://www.elektra.it> - e-mail: info@elektra.it



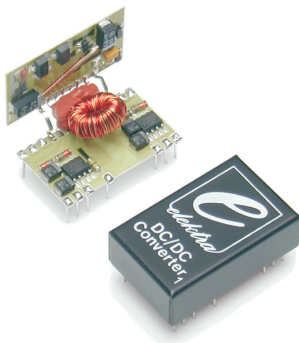
Sales office for Germany
ELEKTRAREINSTADLER GmbH
Arnbacherstr., 32 - 85247 Schwabhausen Germany
Tel.: +49 08138 9161 - Fax: +49 08138 8484
e-mail: elektra.reinstadler@t-online.de

DC/DC Converter

Dual output

Serie CK

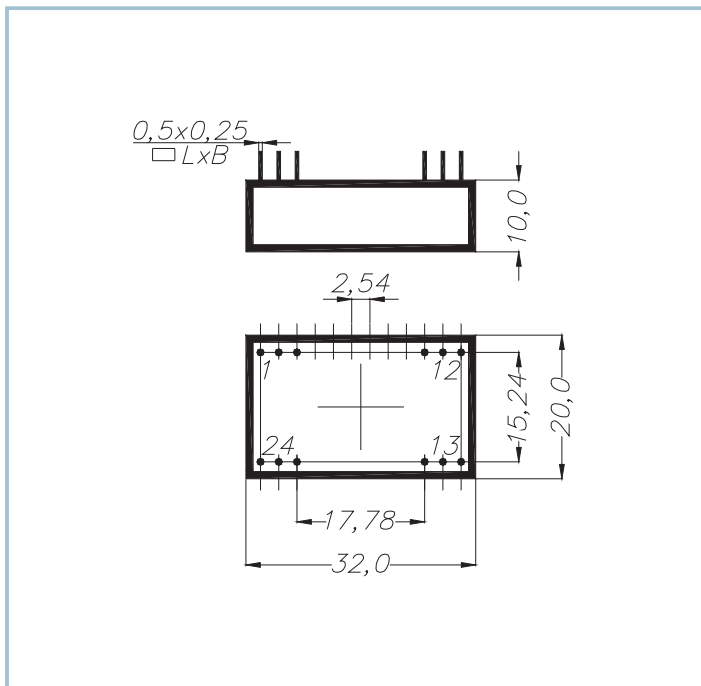
3 W



Input [V]	Output [V]	Output [mA]	Model
5 ± 10%	±5	±250	CK 520
5 ± 10%	±12	±125	CK 522
5 ± 10%	±15	±80	CK 525
12 ± 10%	±5	±250	CK 620
12 ± 10%	±12	±125	CK 622
12 ± 10%	±15	±100	CK 625
15 ± 10%	±5	±250	CK 720
15 ± 10%	±12	±125	CK 722
15 ± 10%	±15	±100	CK 725
24 ± 10%	±5	±250	CK 820
24 ± 10%	±12	±125	CK 822
24 ± 10%	±15	±100	CK 825

SMT - on ceramic technology
 Metal case: DIL24
 Standard pin-out
 Operating temperature range: -25 ÷ +85°C
 Storage temperature range: -40 ÷ +125°C
 Efficiency: >70%
 Radiated EMI/RFI: EN55022-B
 Isolation I/O: 500VDC
 Output voltage accuracy: ±1%
 Output ripple (20MHz): <100mVpp
 Regulation line: ±0,5%
 Regulation load: ±1%
 Short circuit proof
 Temperature coefficient: 0,02%/°C

Note: Typical specifications at T_a=+25°C under nominal line voltage and full-load conditions, unless otherwise noted.



Connections

Pin 1/2/3 +Input
 Pin 22/23/24 -Input
 Pin 15 +Output
 Pin 10/11 Com.
 Pin 13 -Output
 Pin 12/14 no pin

Production and sales office
ELEKTRA srl
 Zona Industriale, 3 - 39052 Caldaro (BZ) Italy
 Tel.: +39 0471 962255 - Fax: +39 0471 965668
<http://www.elektra.it> - e-mail: info@elektra.it



Sales office for Germany
ELEKTRAREINSTADLER GmbH
 Arnbacherstr., 32 - 85247 Schwabhausen Germany
 Tel.: +49 08138 9161 - Fax: +49 08138 8484
 e-mail: elektra.reinstadler@t-online.de